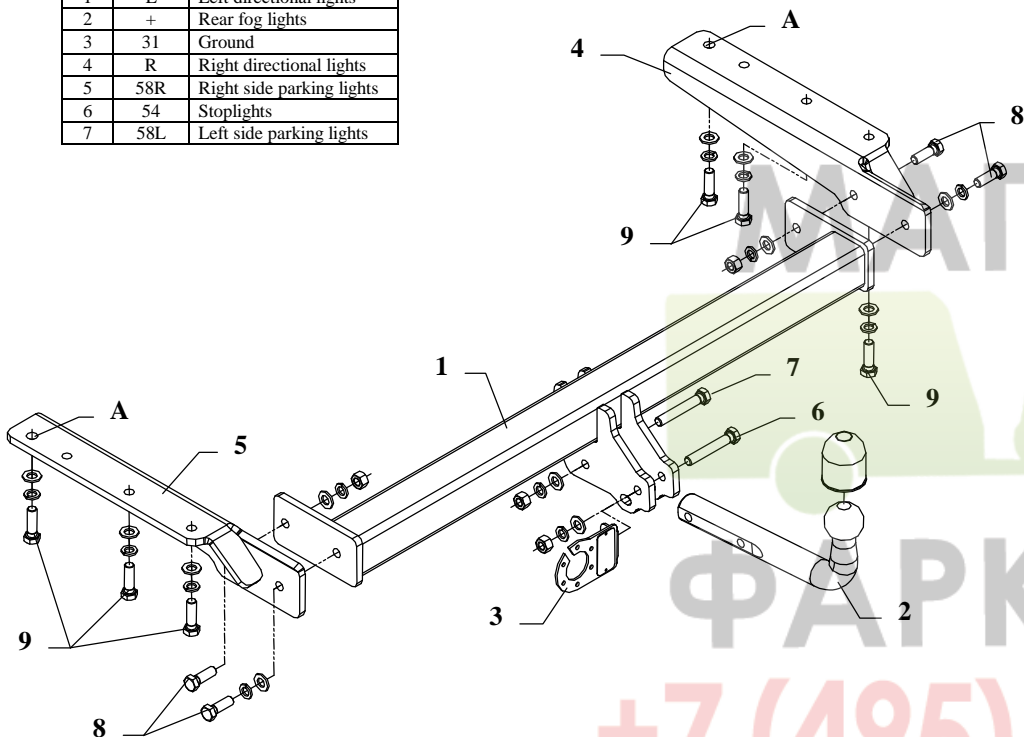


FITTING INSTRUCTION

Clamp mark in acc. with		Cables joining
ISO	PN	
1	L	Left directional lights
2	+	Rear fog lights
3	31	Ground
4	R	Right directional lights
5	58R	Right side parking lights
6	54	Stoplights
7	58L	Left side parking lights



The instruction of the assembly

1. Disassemble factory-made towing eye (will not be assembled again).
2. Disassemble the back muffler from the back handle.
3. Unscrew the cover of the petrol tank (only for one bolt from left and right side).
4. Fix brackets (pos. 4 and 5) to left and right chassis member using bolts M12x1.25x40mm (pos. 9) – through holes (pos. A) fix brackets together with cover of the tank.
5. Between brackets (pos. 4 and 5) slip the main bar of the towbar (pos. 1) and fix using bolts M12x35mm (pos. 8).
6. Fix tow-ball (pos. 2) with socket plate (pos. 3) using bolts M12x75mm (pos. 6) and M12x70mm (pos. 7) from accessories.
7. Tighten all bolts according to the torque shown in the table.
8. Connect electric wires of 7-poles socket according to the instruction of the car. (Recommend to make at authorized service station).
9. Complete paint layer damaged during installation.

Torque settings for nuts and bolts (8,8):	
M 8 - 25 Nm	M 10 - 55 Nm
M 12 - 85 Nm	M 14 - 135 Nm

This towbar is designed to assembly in following cars:
TOYOTA LANDCRUISER J90/J95, 3 door, produced since 1996 till 12.2002, catalogue no. **O45** and is prepared to tow trailers max total weight **2800 kg** and max vertical load **130 kg**.

From manufacturer

Thank you for buying our product. Their reliability has been confirmed in many tests. Reliability of towbar depends also on correct assembly and right operation. For this reasons we kindly ask to read carefully this instruction and apply to hints.

The towbar should be install in points described by a car producer.

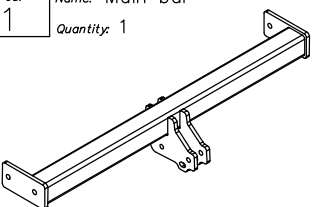
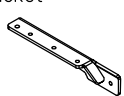
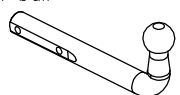

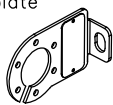
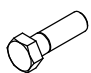

NOTE

After install the towbar you should get adequate note in registration book (at authorised service station).The car should be equipped with:

- Indicators
- Tow mirrors

After 1000km of exploitation check all bolts and nuts. The ball of towbar must be always kept clear and conserve with a grease.

Towbar accessories:

Pos. 1	Name: Main bar Quantity: 1	Pos. 4	Name: Right bracket Quantity: 1	Pos. 9	Name: Bolt 8,8 B Quantity: 6 Dim.: M12x1.25x40mm
		Pos. 5	Name: Left bracket Quantity: 1	Pos. 10	Name: Nut 8 B Quantity: 4 Dim.: M12
		Pos. 6	Name: Bolt 8,8 B Quantity: 1 Dim.: M12x75mm	Pos. 11	Name: Plain washer Quantity: 12 Dim.: Ø 13 mm
Pos. 2	Name: Tow ball Quantity: 1			Pos. 12	Name: Spring washer Quantity: 12 Dim.: Ø 12,2 mm
Pos. 3	Name: Socket plate Quantity: 1	Pos. 7	Name: Bolt 8,8 B Quantity: 1 Dim.: M12x70mm		
		Pos. 8	Name: Bolt 8,8 B Quantity: 4 Dim.: M12x35mm	Pos. 13	Name: Ball cover Quantity: 1
					



PPUH AUTO-HAK S.J.

Produkcja Zaczepów Kulowych
Henryk & Zbigniew Nejman
76-200 SŁUPSK ul. Słoneczna 16K
tel/fax (059) 8-414-414; 8-414-413
E-mail: office@autohak.com.pl
www.autohak.com.pl

Towing hitch (without electrical set)

Class: A50-X Cat. no. O45

Designed for:

Manufacturer: TOYOTA

Model: LANDCRUISER J90/J95

Type: 3 door

produced since 1996 till 12.2002

Approval number according to Directive 94/20/EC: **e20*94/20*0455*00**

Technical data:

D-value: 14,7 kN

maximum trailer weight: **2800 kg**

maximum vertical cup load: **130 kg**

Foreword

This towbar is designed according to rules of safety traffic regulations. The towing hitch is a safety component and can be install only by qualified personnel. Any alteration or conversion of the towing hitch is prohibited and would lead to cancellation of design certification. Remove insulating compound and underseal from vehicle (if present) in the area of the matting surfaces of the towing hitch.

The vehicle manufacturer's specifications regarding trailer load and max. vertical cup load are decisive for driving whereat values for the towing hitch cannot be exceeded.

D-value formula:

$$\frac{\text{Max trailer weight [kg]} \times \text{Max vehicle weight [kg]}}{\text{Max trailer weight [kg]} + \text{Max vehicle weight [kg]}} \times \frac{9,81}{1000} = D \text{ [kN]}$$